



HBL14W47 -- Elastogrip Series Plug



2P3W, 15A 125V, 5-15P, Yellow Elastomer, Watertight

Product Specifications

Product Type	 <p>Plugs</p>
Body Style	Straight
Standard	NEMA
Amperage	15A
Voltage	125V
Poles and Wires	2 Pole, 3 Wire Grounding
Hospital Grade ?	No
Plug/Connector Grade	Elastogrip
Enhancement	Water Tight
Color	 <p>Yellow</p>
NEMA No.	5-15P
Horsepower	0.5
Cord Dia.	.300"-.655" (7.6-16.6)

Description	Straight Blade Plug
Type	2 Pole, 3 Wire, Grounding
Rating	15A,125V
Certification	UL Listed to UL498 File E1706, CSA Certified to C22.2 No. 42 File 280
IP Suitability	IP55
Housing Material	PVC-Yellow
Blade Holder Material	Nylon-Natural
Retainer Material	Polycarbonate-Clear
Cord Clamp Material	Nylon-Yellow
Contact Blades Material	.060" (1.5) Brass
Ground Contact Blade Material	.040" (1.0) Copper Alloy
Terminal Screw Material	#8-32 Brass /Ni plated for neutral
Ground Screw Material	#8-32 Brass, Multiple Drive (Green)
Wire Clamps Material	.062" (1.8) Steel-nickel finish
Dielectric Voltage	Withstands 2,000V minimum.
Current Interrupting	Certified for current interrupting at full rated current.
Temperature Rise	Max 30°C temperature rise at full rated current after 50 cycles of overload at 150% of rated current at a power factor of 75%..
Terminal Identification	Terminals identified in accordance with UL498 (Brass, White, Green).
Terminal Accommodation	#14-#10 AWG copper stranded or solid conductor only.
Product Identification	Ratings are a permanent part of the device.
Flammability	UL 94 HB or better.
Operating Temperatures	Maximum continuous 75°C, minimum -40°C (w/o impact).
M Drawings	Click here for M-Drawing
Catalog Page	Click here for catalog page A18
Brochures	Click here for product brochure
Catalog Section	Click here for Section-A
UPC Number	78358501300
Weight in LBs	0.2

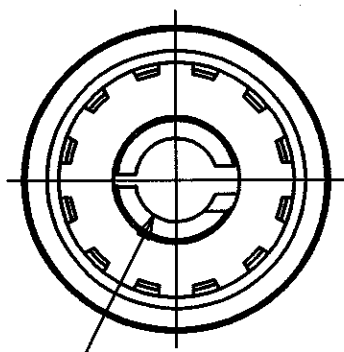
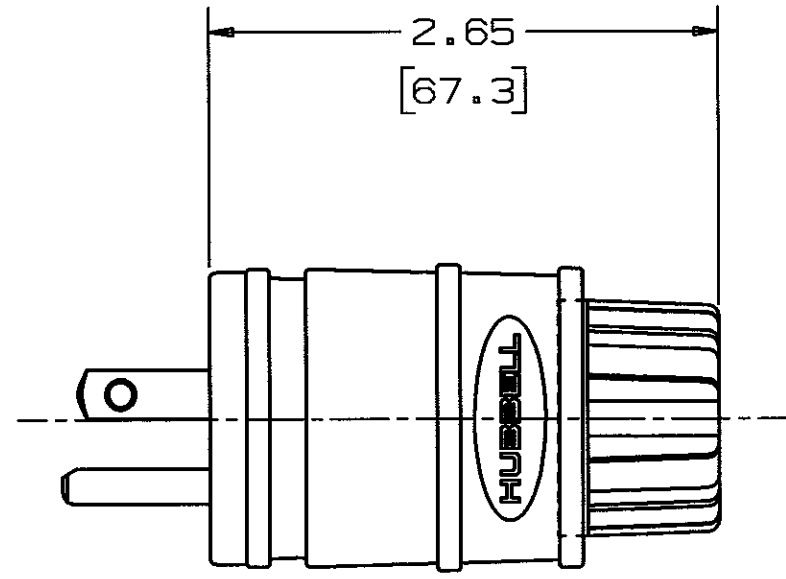
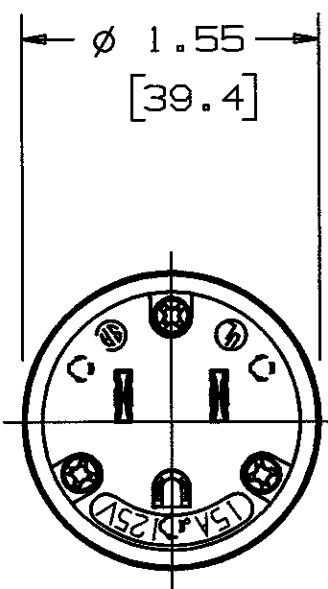


NEMA 5-15P
15A 125V
LL CSA
0.5 HP

NEMA
Configuration



M-6399 2



CABLE CLAMP TAKES
CABLES FROM .300 TO .655
[7.6] [16.6]

CAT. NO.	CONFIGURATION	RATING
HBL14W47	NEMA 5-15P NON-LOCKING	15A.125V
HBL14W33	NEMA 5-20P NON-LOCKING	20A.125V
HBL24W47	NEMA L5-15P LOCKING	15A.125V

NOTES: (UNLESS OTHERWISE SPECIFIED)
1) DIMENSION FORMAT IS: INCHES
[mm]
2) DIMENSIONS SHOWN ON THIS DRAWING ARE
NOMINAL VALUES FOR GENERAL USE ONLY.
ACTUAL PART TOLERANCES MUST BE
OBTAINED FROM HUBBELL ENGINEERING.

LIST OF PARTS		
DESCRIPTION	MATERIAL	FINISH
BLADE HOLDER	NYLON	NATURAL
RETAINER	LEXAN	AMBER
CONTACT BLADES	.060 BRASS	*
GR. CONTACT BLADE	.040 BRASS	
BINDING SCREWS	BRASS	*
GR HEX HD BIND'G SCR	BRASS	GREEN
WIRE CLAMPS	.062 STEEL	ZINC PLATE
SPACER	NYLON	NATURAL
GLAND	NEOPRENE	GRAY
NUT	NYLON	YELLOW
OUTER SLEEVE	VINYL	YELLOW

* WHITE FINISH ON NEUTRAL

SUPERSEDES DRAWING
DATED 5-2-84

SYM	REVISIONS	APP	DATE
2	ADDED DUAL DIMENSIONS; "HBL24W47" WAS "24W47"; ADDED NOTES 1 & 2; "SEE TABLE" WAS "SEE CHART"; PER DCN #8682. JMN	T.C.M. <i>[Signature]</i>	1/3/02
1	REDRAWN WITH CHANGES; ADDED "HBL" TO 14W47 & 14W33; REMOVED "TURN & PULL" FROM L.H. VIEW; PER DCN #7037. JMN		6/9/00

THE DESIGN AND DIMENSIONS OF THE
PRODUCT SHOWN ON THIS DRAWING ARE
SUBJECT TO CHANGE WITHOUT NOTICE

TITLE
2 POLE 3 WIRE WATERTIGHT
ELASROMERIC PLUGS

TOLERANCES UNLESS OTHERWISE SPECIFIED	WIRING DEVICE-KELLEMS HUBBELL INCORPORATED BRIDGEPORT, CT	
FRACTIONS ±1/64	DR. BY A.Z.	APP. BY J.N.C.
DECIMALS ±.005	TR. BY J.M.N.	SCALE 1:1
ANGLES ±2°	CHK'D BY	DATE 6/9/00

DIMENSION SHEET FOR CAT. NO. SEE TABLE
 REPAIRABLE NON-REPAIRABLE B M-6399 2

Straight Blade Devices

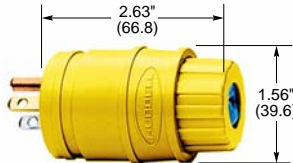
2 Pole, 3 Wire Grounding

15 and 20 Ampere, 125 Volts

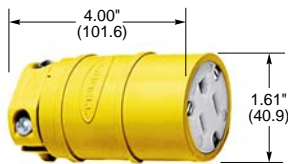
ELASTOGRIP® Plugs and Connector Bodies



HBL1447



HBL14W47



HBL1547



HBL15W47



IP20 and IP55

SUITABILITY



NEMA 5-15P
15A 125V
UL CSA
0.5 HP



NEMA 5-20P
20A 125V
UL CSA
1 HP

Elastogrip Plugs

Description	Cord Dia.	Catalog Numbers	
Yellow elastomer, dust tight.	.300"-.655" (7.6-16.6)	HBL1447	HBL1433
Yellow elastomer, watertight.	.300"-.655" (7.6-16.6)	HBL14W47*	HBL14W33*

Note: Horsepower ratings listed are AC only.

*Watertight plugs IP55 suitability when installed and used properly with mating Elastogrip watertight connector bodies.

IP20 and IP55

SUITABILITY



NEMA 5-15R
15A 125V
UL CSA



NEMA 5-20R
20A 125V
UL CSA

Elastogrip Connector Bodies

Description	Cord Dia.	Catalog Numbers	
Yellow elastomer, dust tight.	.300"-.655" (7.6-16.6)	HBL1547	HBL1533
Yellow elastomer, watertight.	.300"-.655" (7.6-16.6)	HBL15W47*	HBL15W33*

Notes: Connector bodies are not HP rated.

*Watertight connectors IP55 suitability when closure plug inserted or when installed and used properly with mating Elastogrip watertight plug.